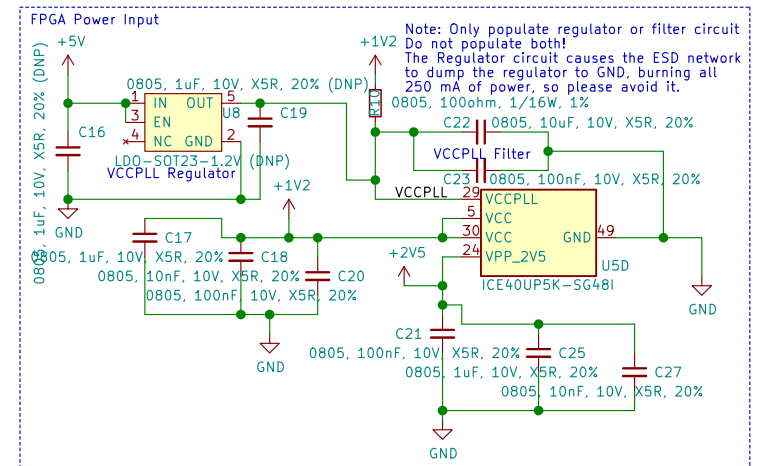
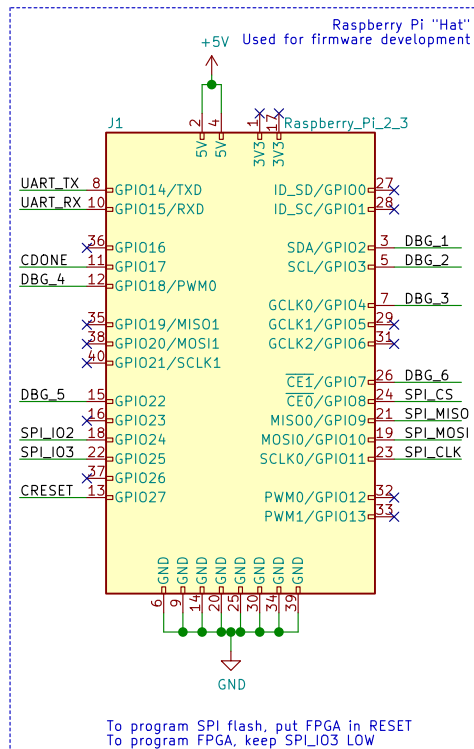
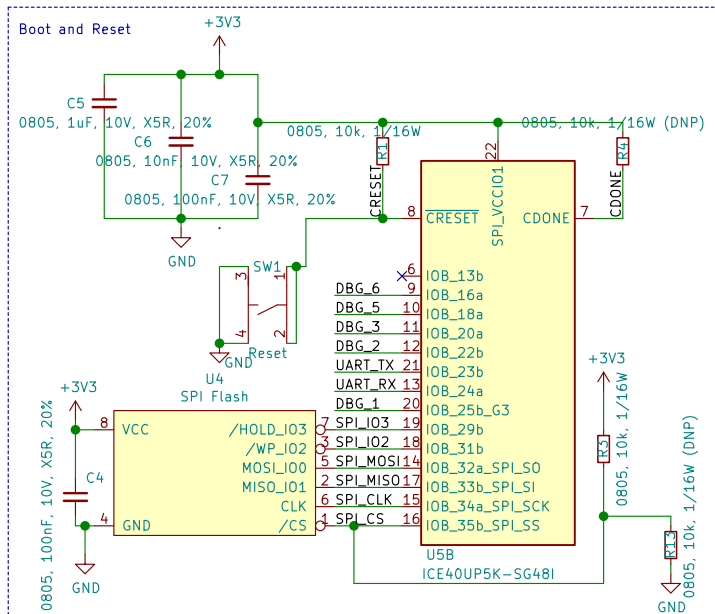
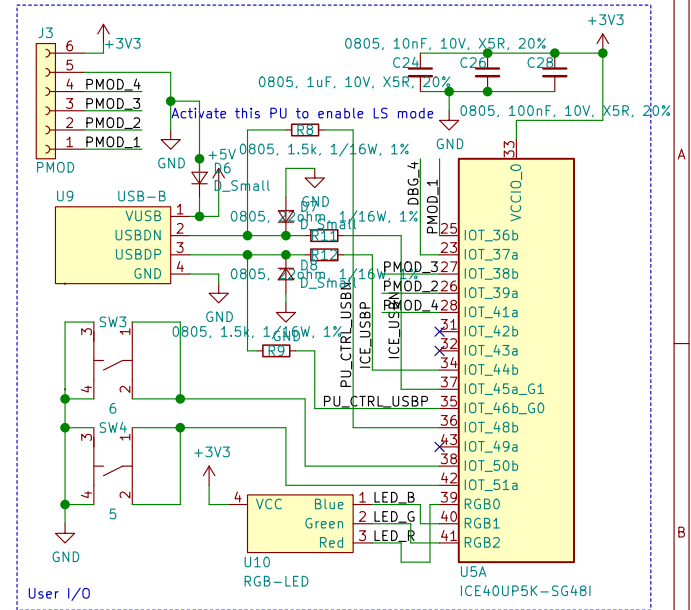


When booting FPGA from RPI, MISO and MOSI switch. Send bitstream out MISO0. This requires bitbanging the SPI stream. Keep SPI_CS low when driving CRESET high.



Stretch PCB for electrical verification

Foosn PTE Ltd.

Sheet: /
 File: tomu-fpga.sch

Title: Tomu FPGA

Size: A4 Date: 2018-11-23
 KiCad E.D.A. kicad (5.0.0)

Rev: EVT2
 Id: 1/1